

# ENGINE POWERED TELESCOPIC BOOM LIFTS

## TB28J PLUS(TB910J PLUS)

Compliant with AS 1418 · 10 standards

### PRODUCT HIGHLIGHTS

#### High Capacity

- Plus series boom lifts holds up to 454kg (restricted)/300kg (restricted)/250kg (unrestricted) platform capacity allowing you to carry up to 3 occupants plus material and tools to get your job done easily

#### Oscillating Function

- Both the active and inactive states have an oscillating function, allowing work to be performed on inclines and uneven ground

#### Intelligent Maintenance

- Industry leading 7" screen displays faults and status information, for easy reference, Workers can complete tasks under the remote guidance of qualified service technicians. Convenient for fleet managers to quickly access live machine and maintenance information

#### Precision Performance

- The upper control box is equipped with 3 full-proportional handles for gradual control of boom lifting, telescoping, turntable rotation and driving speed. Operate with smooth starting and stopping and precision approach to your worksite target



Standard Features		
4WD×2WS	Fault diagnosis system	Telematic ready
Hydraulic platform leveling	Display screen	Battery isolator
Flashing beacon	Emergency lowering system	Secondary guarding system
Proportional control	Weight management system	White noise alarm
Tilt protection system	Non-marking tires	Half-mesh for platform
Manual storage box	Generator	
Options & Accessories		
Wheel nut indicators	Mine spec	Telematic device
Fire extinguisher/Bracket	AC power to platform	Driving lights
Pipe lifting system		

**SINOBOOM™**

**PARTNERS IN ACCESS™**

🌐 [SINOBOOM.AU](http://SINOBOOM.AU) | 📞 03 8905 1550

HO: BRISBANE – 39 ALTA ROAD, CABOOLTURE QLD 4510 | SYDNEY – 1/3 VOYAGER CT, GLENDENNING NSW 2761

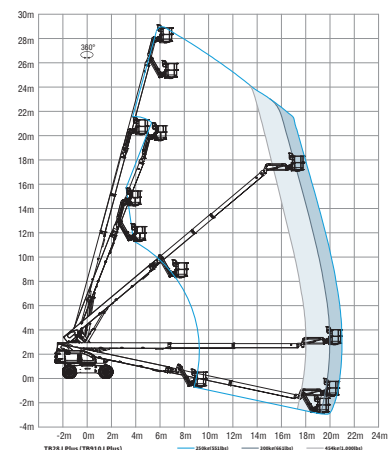
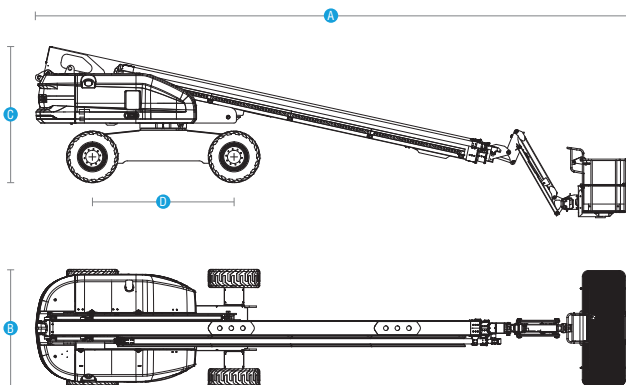
MELBOURNE – 32-34 MARNI, DANDENONG SOUTH VIC 3175

# ENGINE POWERED TELESCOPIC BOOM LIFTS

## TB28J PLUS(TB910J PLUS)

Compliant with AS 1418 · 10 standards

Model	TB28J Plus (TB910J Plus)
<b>Dimensions</b>	
Max Platform Height	27.6 m (90'7")
Max Working Height	29.6 m (97'1")
Max Horizontal Reach (Restricted/Restricted/Unrestricted)	18 m/ 20 m/ 21 m (59'/65'7"/68'11")
A Stowed Length	12.5 m (41')
B Stowed Width	2.49 m (8'2")
C Stowed Height	2.88 m (9'5")
Stowed Length (Transport)	10.25 m (33'8")
Stowed Width (Transport)	2.49 m (8'2")
Stowed Height (Transport)	2.96 m (9'9")
D Wheelbase	3 m (9'10")
Ground Clearance	0.46 m (1'5.1")
Platform Size (L×W×H)	2.44 m×0.91 m×1.1 m (8'×3'×3'7")
<b>Performance</b>	
Max Platform Capacity (Restricted/Restricted/Unrestricted)	454 kg/300 kg/250 kg (1,000 lbs/661 lbs/551 lbs)
Max Platform Occupants (Restricted/Restricted/Unrestricted)	3 persons/2 persons/2 persons
Drive Speed (Stowed/Raised)	0 ~ 4.8 km/h (0 ~ 3 mph)   0 ~ 1.1 km/h (0 ~ 0.68 mph)
Gradeability	45%
Turntable Rotation	360° /Continuous
Platform Rotation	160°
Tilt Rating	5°
Turning Radius (Inside/Outside)	3.65 m/6.91 m (12'/ 22'8")
Turntable Tail-Swing	1.45 m (4'9")
Max Allowable Side Force	400 N (90 lbf)
Max Allowable Wind Speed	12.5 m/s (28 mph)
Tire Spec/Type	385/65D22.5 (foam-filled)   385/65-24/10 (solid)   15-625 (foam-filled)
<b>Power</b>	
Drive × Steer	4WD × 2WS
Engine	54 KW /2400 rpm/ QSF2.8t3TC72/Cummins/China T3、 EU stage III 55.4 KW /2600 rpm/ TD2.9 L4/Deutz/EU stage V、 EPA Tier 4F
Hydraulic Tank Capacity	180 L (39.6 gal (UK)/47.6 gal (US))
Diesel Tank Capacity	150 L (33.0 gal (UK)/39.6 gal (US))
System Voltage	12 VDC
<b>Weight</b>	
Weight	17,000 kg (37,479 lbs)
Standards Compliance	AS 1418 · 10



This document is provided for information purposes only and reflects product information available at the time of publication. Sinoboom Intelligent Equipment Pty Ltd reserves the right to change specifications, designs, and equipment without notice and makes no representations or warranties. Where indicated, AS-marked platforms conform to AS/NZS 1418.10:2011. Refer to the applicable Sinoboom Operating, Maintenance, and Parts Manuals for correct use and procedures. 03.2026