

## ENGINE POWERED TELESCOPIC BOOM LIFTS

# TB58RJ PLUS(TB1900RJ PLUS)

Compliant with AS 1418 · 10 standards

## PRODUCT HIGHLIGHTS

### Precision Performance

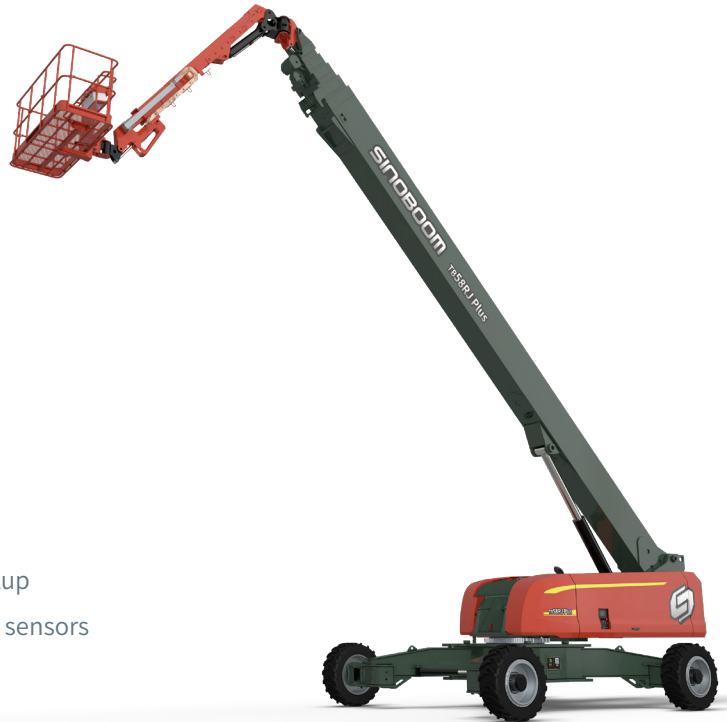
- Platform control unit is equipped with joysticks featuring proportional control, which is easy to operate and reach the work targets

### Intelligent Maintenance

- Industry leading 7" screen displays faults and status information, for easy reference. Workers can complete tasks under the remote guidance of qualified service technicians. Convenient for fleet managers to quickly access live machine and maintenance information

### Safe and Reliable

- Machine is equipped with Rexroth Controller with dual backup CPU offering high performance, combined with dual channel sensors offering high safety redundancy



#### Standard Features

4WD×2WS	Generator	Telematic ready
Hydraulic platform leveling	Fault diagnosis system	Battery isolator
Flashing beacon	Display screen	Secondary guarding system
Proportional control	Emergency lowering system	White noise alarm
Tilt protection system	Weight management system	Half-mesh for platform
Manual storage box		

#### Options & Accessories

Wheel nut indicators	Mine spec	Telematic device
Fire extinguisher/Bracket	AC power to platform	Driving lights
Pipe lifting system		

**SINOBOOM™**

**PARTNERS IN ACCESS™**

🌐 [SINOBOOM.AU](http://SINOBOOM.AU) | 📞 03 8905 1550

HO: BRISBANE – 39 ALTA ROAD, CABOOLTURE QLD 4510 | SYDNEY – 1/3 VOYAGER CT, GLENDENNING NSW 2761

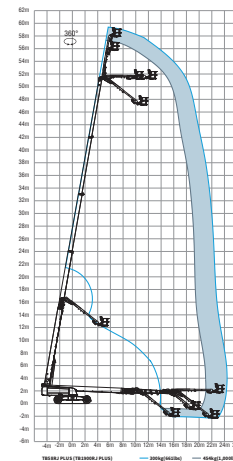
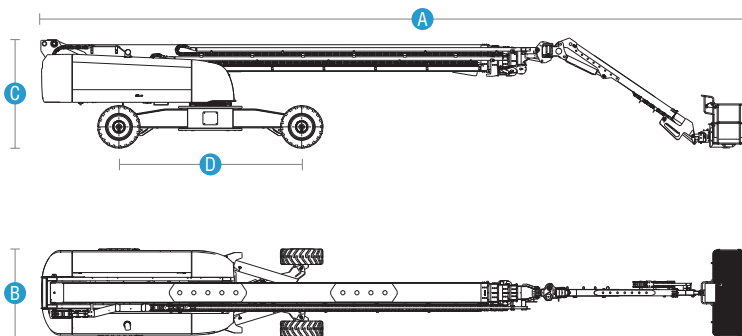
MELBOURNE – 32-34 MARNI, DANDENONG SOUTH VIC 3175

**ENGINE POWERED TELESCOPIC BOOM LIFTS**

**TB58RJ PLUS(TB1900RJ PLUS)**

Compliant with AS 1418 · 10 standards

Model	TB58RJ Plus (TB1900RJ Plus)
<b>Dimensions</b>	
Max Platform Height	57.9 m (189'11.5")
Max Working Height	59.9 m (196'6")
Max Horizontal Reach (Restricted/Unrestricted)	21.01 m/24.4 m (68'11"/80'1")
A Stowed Length	20.07 m (65'10")
B Stowed Width	2.49 m (8'2")
C Stowed Height	3.1 m (10'2")
Stowed Length (Transport)	14.6 m (47'11")
Stowed Width (Transport)	2.49 m (8'2")
Stowed Height (Transport)	3.1 m (10'2")
D Wheelbase	5.2 m (17'1")
Ground Clearance	0.33 m (12.2")
Platform Size (L×W×H)	2.44 m×0.91 m×1.1 m (8'×3'×3'7")
<b>Performance</b>	
Max Platform Capacity(Restricted/Unrestricted)	454 kg/300 kg (1, 000 lbs/661 lbs)
Max Platform Occupants(Restricted/Unrestricted)	3 persons / 2 persons
Drive Speed (Stowed)	4.5 km/h (2.8 mph)
Drive Speed (Raised)	0.48 km/h (0.3 mph)
Gradeability	45 %
Turntable Rotation	360° / Non-continuous
Platform Rotation	160°
Jib Rotation	170°
Tilt Rating	5°
Turning Radius (Inside/Outside) (Outrigger retracted)	7.1 m/9.52 m (23'3.5"/31'3")
Turning Radius (Inside/Outside) (Outrigger extended)	2.28 m/6.54 m (7'5.8"/21'5.5")
Turntable Tail-Swing	2.32 m (7'7.3")
Max Allowable Side Force	400 N (90 lbf)
Max Allowable Wind Speed	12.5 m/s (28 mph)
Tire Spec/Type	445/50D710 24PR (Foam-filled)
<b>Power</b>	
Drive × Steer	4WD × 4WS
Engine	74 kW/ 2200 rpm/ QSF3.8t3TC99/Cummins/China T3 74.4 kW/2300rpm/TCD3.6 L4 Stage V+T4f/DETUZ/ EU Stage V ,T4f 74.4 kW/2300rpm/TCD3.6 L4 T4f/DETUZ/T4f
Hydraulic Tank Capacity	405 L (89.1 gal (UK)/107 gal (US))
Diesel Tank Capacity	200 L (44 gal (UK)/52.8 gal (US))
System Voltage	12 V DC
<b>Weight</b>	
Weight	27,600 kg (60,848 lbs)
Standards Compliance	AS 1418 · 10



This document is provided for information purposes only and reflects product information available at the time of publication. Sinoboom Intelligent Equipment Pty Ltd reserves the right to change specifications, designs, and equipment without notice and makes no representations or warranties. Where indicated, AS-marked platforms conform to AS/NZS 1418.10:2011. Refer to the applicable Sinoboom Operating, Maintenance, and Parts Manuals for correct use and procedures. 03.2026