

## ENGINE POWERED TELESCOPIC BOOM LIFTS

# TB42RJ PLUS (TB1370RJ PLUS)

Compliant with AS 1418 · 10 standards

## HIGHLIGHTS

### Brand-New X-chassis Platform

- Diesel and electric power models are developed and designed on the same platform, with a high degree of modularity and versatility
- Optimized new structure design, product stability and reliability greatly improved

### Strong Operational Performance

- 480kg (Restricted) / 340kg (Restricted) / 250kg (Unrestricted) 3 levels of load capacity to meet the needs of multiple working scenarios
- The jib can move horizontally, making operation flexible and efficient.
- Maximum tilt rating up to 5°

### Low Transportation Cost

- Can be transported directly in containers
- 11.94 meters length makes it easy to transport on a conventional truck.



### Standard Features

4WD×2WS	Non-marking tires	Telematic ready
Hydraulic platform leveling	Fault diagnosis system	Battery isolator
Flashing beacon	Display screen	Secondary guarding system
Proportional control	Emergency lowering system	White noise alarm
Tilt protection system	Weight management system	Half-mesh for platform
Manual storage box	Generator	

### Options & Accessories

Wheel nut indicators	Mine spec	Telematic device
Fire extinguisher/Bracket	AC power to platform	Driving lights
Pipe lifting system		

**SINOBOOM™**

**PARTNERS IN ACCESS™**

🌐 [SINOBOOM.AU](http://SINOBOOM.AU) | 📞 03 8905 1550

HO: BRISBANE – 39 ALTA ROAD, CABOOLTURE QLD 4510 | SYDNEY – 1/3 VOYAGER CT, GLENDENNING NSW 2761

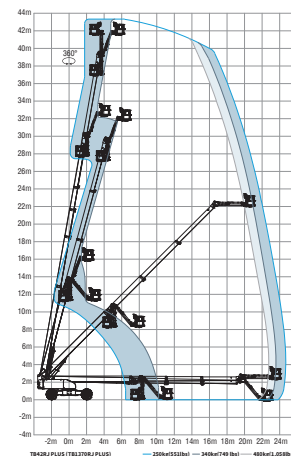
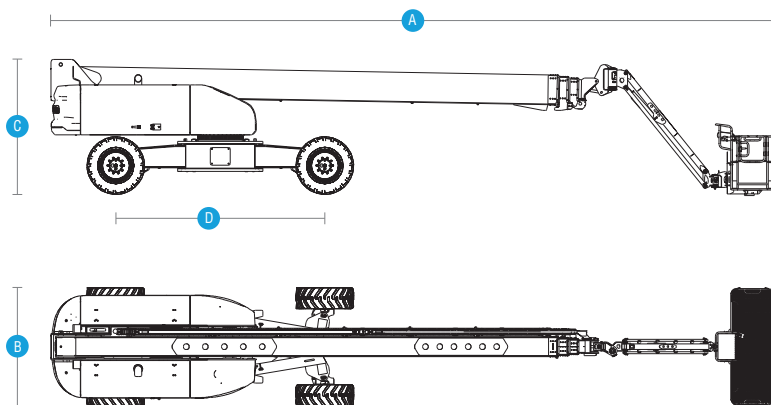
MELBOURNE – 32-34 MARNI, DANDENONG SOUTH VIC 3175

ENGINE POWERED TELESCOPIC BOOM LIFTS

# TB42RJ PLUS (TB1370RJ PLUS)

Compliant with AS 1418 · 10 standards

Model	TB42RJ Plus (TB1370RJ Plus)
<b>Dimensions</b>	
Max Platform Height	41.6 m (136'6")
Max Working Height	43.6 m (143'0.5")
Max Horizontal Reach (Restricted/ Restricted /Unrestricted)	22.1 m / 23 m / 24.1 m (72'6" / 75'6" / 79'1")
Max Horizontal Working Envelope (Restricted/ Restricted /Unrestricted)	22.7 m / 23.6 m / 24.7 m (74'6" / 77'5" / 81')
A Stowed Length / Stowed Length (Transport)	15.24 m (50') / 11.94 m (39'2")
B Stowed Width	2.49 m (8'2")
C Stowed Height	2.84 m (9'4")
D Wheelbase (Outrigger Retracted/Extended)	4.4 m / 3.99 m (14'5" / 13'1")
Ground Clearance	0.48 m (1'5.7")
Platform Size (L×W×H)	2.44 m×0.91 m×1.1 m (8'×3'×3'7")
<b>Performance</b>	
Max Platform Capacity (Restricted/ Restricted /Unrestricted)	480 kg / 340 kg / 250 kg (1,058 lbs/749 lbs/551 lbs)
Max Platform Occupants (Restricted/ Restricted/Unrestricted)	3 persons and tools / 2 persons and tools / 2 persons and tools
Drive Speed (Stowed)	0 ~ 4.4 km/h (0 ~ 2.7 mph)
Drive Speed (Raised)	0 ~ 0.7 km/h (0 ~ 0.43 mph)
Gradeability	40%
Turntable Rotation	360° /Continuous
Platform Rotation	180°
Jib Rotation	235° (left 160° /right 75° )
Tilt Rating	5°
Turning Radius(Inside/Outside)- Outrigger retracted	3.98 m/6.37 m (13' / 20' 11")
Turning Radius(Inside/Outside)- Outrigger extended	1.89 m/5.22 m (6' 2" / 17' 2")
Turntable Tail-Swing (Outrigger retracted/extended)	2.32 m/1.64 m (7' 7" / 5' 5")
Max Allowable Side Force	400 N (90 lbf)
Max Allowable Wind Speed	12.5 m/s (28 mph)
Tire Spec/Type	445/65-24/12.00 (solid)   445/65-24/12.00 (non-marking, solid) 445.50D710 18PR (foam-filled) 445.50D710 20PR (foam-filled)   445.50D710 18PR (non-marking, foam-filled)
<b>Power</b>	
Drive × Steer	4 WD × 4 WS
Engine	54 kW /2400 rpm/ QSF2.8t3TC72/Cummins/China T3、 EU stage III 55.4 kW /2600 rpm/ TD2.9 L4/Deutz/ EPA Tier 4F
Hydraulic Tank Capacity	280 L (61.6 gal (UK)/74 gal (US))
Diesel Tank Capacity	200 L (44.0 gal (UK)/52.8 gal (US))
System Voltage	12 V DC
<b>Weight</b>	
Weight	22,400 kg (49,383 lbs)
Standards Compliance	AS 1418 · 10



This document is provided for information purposes only and reflects product information available at the time of publication. Sinoboom Intelligent Equipment Pty Ltd reserves the right to change specifications, designs, and equipment without notice and makes no representations or warranties. Where indicated, AS-marked platforms conform to AS/NZS 1418.10:2011. Refer to the applicable Sinoboom Operating, Maintenance, and Parts Manuals for correct use and procedures. 03.2026