

## ENGINE POWERED TELESCOPIC BOOM LIFTS

# TB58RJ PLUS(TB1900RJ PLUS)

Compliant with CE/AS/EAC standards

## PRODUCT HIGHLIGHTS

### Precision Performance

- Platform control unit equips 3 joysticks featuring proportional control, which is easy to operate and reach the work targets

### Intelligent Maintenance

- Industry leading 7" screen displays faults and status information, for easy reference, reducing service technician assistance. Workers can complete tasks under the remote guidance of qualified service technicians. Convenient for fleet managers to quickly access live machine and maintenance information



### Safe and Reliable

- Machine equips safety Rexroth controller with dual backup CPU and compliant with ISO 13849, high performance level d, combined with dual channel sensors offering an extremely safe redundancy

#### Standard Features

Proportional control with 3 joysticks	7-in display screen	4WD x 4WS
Electrical platform leveling	Automotive-grade sleeves for all pipes	Weighing system
Tilt protection system	160° platform rotation	Telematics-ready connector
Flashing beacon	170° jib rotation	Half mesh (For platform with swinging gate)
Footswitch	White noise alarm	
Secondary guarding device	Battery isolator	
Max tilt rating to 5°	2.44 m(8') platform with swing gate	

#### Options & Accessories

AC power to platform		
Platform work light		

**SINOBOOM™**

**PARTNERS IN ACCESS™**

SINOBOOM.COM | SALES@SINOBOOM.COM  
32-34 Marni Street, Dandenong South, VIC Australia 3175

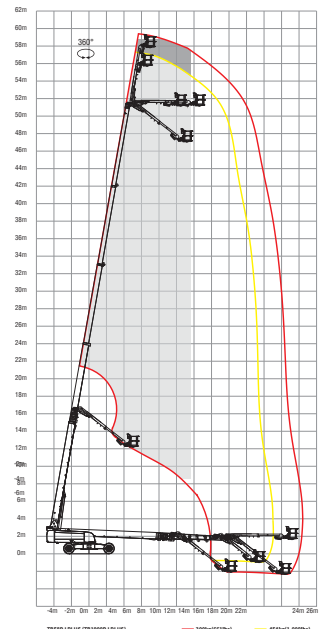
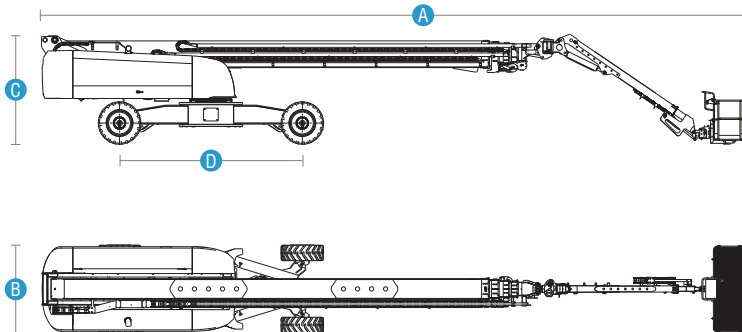
**ENGINE POWERED TELESCOPIC BOOM LIFTS**

# TB58RJ PLUS(TB1900RJ PLUS)

Compliant with CE/EAC standards

Model	TB58RJ Plus (TB1900RJ Plus)
<b>Dimensions</b>	
Max Platform Height	57.9 m (190')
Max Working Height	59.9 m (196'6")
Max Horizontal Reach(Restricted/Unrestricted)	20.01 m/24.4 m (65'8"/80'1")
A Stowed Length	20.07 m (65'10")
B Stowed Width	2.49 m (8'2")
C Stowed Height	3.1 m (10'2")
Stowed Length (Transport)	14.6 m (47'11")
Stowed Width (Transport)	2.49 m (8'2")
Stowed Height (Transport)	3.1 m (10'2")
D Wheelbase	5.2 m (17'1")
Ground Clearance	0.33 m (1'1")
Platform Size (L×W×H)	2.44 m×0.91 m×1.1 m (8'×3'×3'7")
<b>Performance</b>	
Max Platform Capacity(Restricted/Unrestricted)	454 kg/300 kg (1,000 lbs/661 lbs)
Max Platform Occupants(Restricted/Unrestricted)	2 persons
Drive Speed (Stowed)	4.5 km/h (2.8 mph)
Drive Speed (Raised)	0.48 km/h (0.3 mph)
Gradeability	45 %
Turntable Rotation	360 ° / Non-continuous
Platform Rotation	160 °
Jib Rotation	170 °
Tilt Rating	5 °
Turning Radius (Inside/Outside)	7.1 m/9.52 m (23'3.5" / 31'3")
Turntable Tail-Swing	3.58 m (11'9")
Max Allowable Side Force	400 N (90 lbf)
Max Allowable Wind Speed	12.5 m/s (28 mph)
Tire Spec/Type	445/50D710 24PR (Foam-filled)
<b>Power</b>	
Drive × Steer	4WD × 4WS
Engine	74 kw/2200 rpm/ YCF36100-T480/Yuchai/China Stage 4
Hydraulic Tank Capacity	405 L (89.1 gal(UK)/107 gal(US))
Diesel Tank Capacity	200 L (44 gal(UK)/52.8 gal(US))
System Voltage	12 VDC
<b>Weight</b>	
Weight	27,600 kg (60,848 lbs)

Standards Compliance	CE/AS/EAC
----------------------	-----------



We reserve the right to make specification. The above represents the current specifications at time of publications. 04. 2023

TB58RJ PLUS (TB1900RJ PLUS) 200kg(440lb) 454kg(1000lb)