

## ENGINE POWERED ARTICULATING BOOM LIFTS

# AB18J (AB600J)

Compliant with CE/AS/EAC standards

## PRODUCT HIGHLIGHTS

### Precision Performance

- 3 joysticks with variable proportional control, accuracy in reaching the operation target

### Intelligent Maintenance

- Industry leading 7" screen displays faults and status information, for easy reference, reducing service technician assistance. Workers can complete tasks under the remote guidance of qualified service technicians. Convenient for fleet managers to quickly access live machine and maintenance information

### Reliable

- "Up right" with hydraulic leveling, the secondary boom extension and lift are hydraulic interlocked

### Operating Efficiency

- The working platform can be lifted and lowered to any position without the need to operate the secondary boom



#### Standard Features

Oscillating function	7-in display screen	4WD(2WD) × 2WS
Proportional control with 3 joysticks	Automotive-grade sleeves for all pipes	4-wheel brake
Hydraulic platform leveling	160° Platform rotation	Weighing system
Tilt protection system	Max tilt rating to 5°	Battery Isolator
Flashing beacon	White Noise Alarm	Telematics-ready connector
Secondary guarding device	1.83 m (6') platform	Half mesh
Fault diagnosis system	Non-marking tires	

#### Options & Accessories

AC power to platform	Glazier kit (For platform with swinging gate)	
2.44 m (8') platform with swinging gate		
Platform work light		
1.45 m (4'9") platform		

**SINOBOOM™**

**PARTNERS IN ACCESS™**

SINOBOOM.AU | SALES@SINOBOOM.COM  
32-34 Marni Street, Dandenong South, VIC Australia 3175

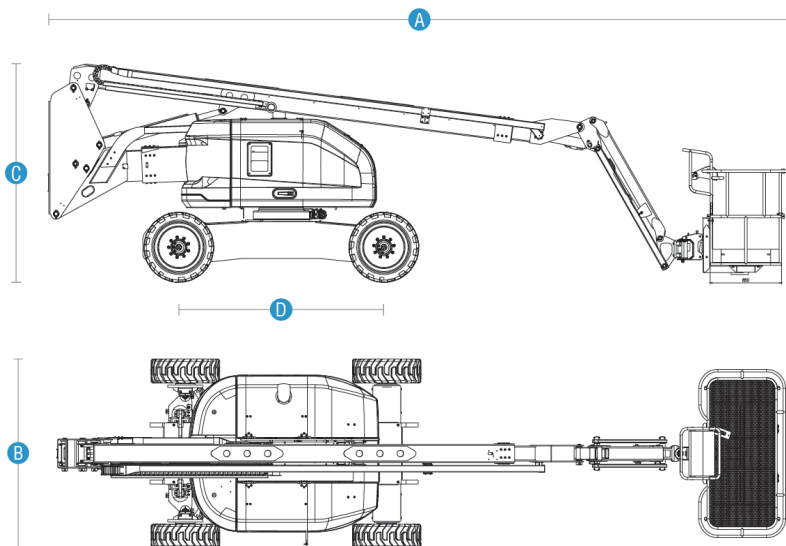
## ENGINE POWERED ARTICULATING BOOM LIFTS

# AB18J (AB600J)

Compliant with CE/AS/EAC standards

Model	AB18J (AB600J)
<b>Dimensions</b>	
Max Platform Height	18.3 m (60')
Max Working Height	20.3 m (66'7")
Max Horizontal Reach	12.2 m (40')
Max Up and Over Clearance	7.8 m (25'7")
A Stowed Length	8.6 m (28'3")
B Stowed Width	2.28 m (7'6")
C Stowed Height	2.56 m (8'5")
Stowed Length (Transport)	8.6 m (28')
Stowed Width (Transport)	2.28 m (7'6")
Stowed Height (Transport)	2.56 m (8'5")
D Wheelbase	2.44 m (8')
Ground Clearance	0.23 m (9.1")
Platform Size (L×W×H)	1.83×0.85×1.1 m (6'×2'9"×3'7")
<b>Performance</b>	
Max Platform Capacity	250 kg (551lbs)
Max Platform Occupants	2 Persons
Drive Speed (Stowed)	0~5 km/h (0~3.1 mph)
Drive Speed (Raised)	0~1.1 km/h (0~0.7 mph)
Gradeability	40%
Turntable Rotation	360°/Continuous
Platform Rotation	160°
Tilt Rating	5°
Turning Radius (Inside/Outside)	3.48 m/6.29 m (11'5"/20'8")
Turntable Tail-Swing	0.2 m (8")
Max Allowable Side Force	400 N (90 lbf)
Max Allowable Wind Speed	12.5 m/s (28 mph)
Tire Spec/Type	33×12D610 (Foam-filled)
<b>Power</b>	
Drive × Steer	4WD×2WS
Engine	43 kW/2500 rpm/ QSF2.8t3NA60 / Cummins/China T3, EU Stage 3A
Hydraulic Tank Capacity	120 L (26.4 gal(UK)/31.7 gal(US))
Diesel Tank Capacity	110 L (24.2 gal(UK)/29.1 gal(US))
System Voltage	12 VDC
<b>Weight</b>	
Weight	10,700 kg (23,589lbs)

### Standards Compliance



### CE/AS/EAC

